

The Soapstone Family

Castleton Wood Stove Model 8031

Clean and efficient with extra long burn times.



Efficiency

77%

HHV



HeatLife™

20

Hours



EPA Certified

0.69

g/hr



Features

TruHybrid™ System

A 3-tube secondary combustion system with a fixed baffle ensure a clean burn before the catalyst performs the finishing touches.

Convenient Firebox

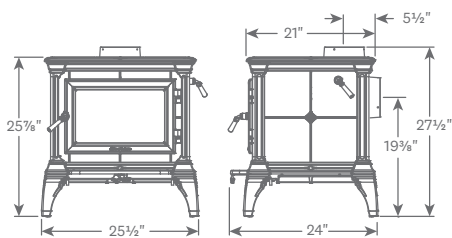
The square shape of the Castleton stove is perfect for loading the wood either side-to-side or front-to-back.

Easy to Use

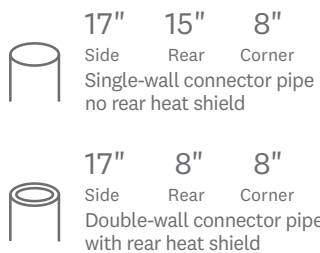
Control the stove with one lever. Turn your stove to high and stoke a big fire. Turn it all the way down to keep a fire burning overnight.



Dimensions

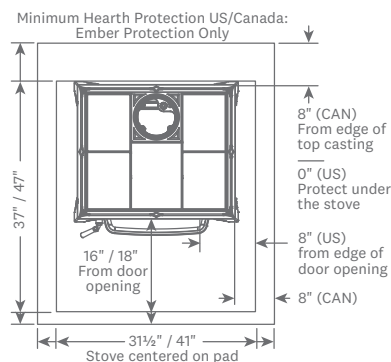


Clearances

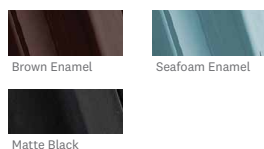


Note: All information is for reference only. Refer to the owner's manual for full specification and installation details.

Hearth Protection



Finish Options



Specifications

HHV Efficiency	77%
HeatLife™ Burn Time*	20 hours
EPA Certified	0.69 g/hr
Heats up to	1,700 sq ft
Firebox Capacity	1.9 cu ft
BTU	Up to 45,000
Maximum Log Length	18"
Flue Exit & Diameter	Top or Rear† - 6"
Weight	464 lbs

Accessories

Rear Heat Shield	90-68300
Convection Blower	90-57210
Outside Air Adapter	90-53300

† Refer to the owner's manual for rear exit requirements.
* Under the right conditions, you will be able to start a new fire with kindling up to the end of the product's HeatLife™.