

Green Mountain 60 TruHybrid™ Wood Stove



GREEN MOUNTAIN 60 TruHybrid™ MODEL 8660 MATTE BLACK

This wood-burning appliance meets 2020 U.S. Environmental Protection Agency clean air standards.

GREEN MOUNTAIN 60 8660 TruHybrid™

- **TruHybrid™ Combustion System**
Clean burning, uber-efficient, burn times up to 24 hours.
- **Single Lever Air Control**
Easy operation, consistent performance
- **Easy Catalytic Control Handle**
Open side lever for smokeless startups, close for long, efficient fires
- **Durable Construction**
Full cast iron construction with 1¼" soapstone lining offers lasting heat and a lifetime of trouble free service
- **Large Front Door Glass**
The giant window warms your home with heat and the flickering light of the fire.



FINISH OPTIONS:

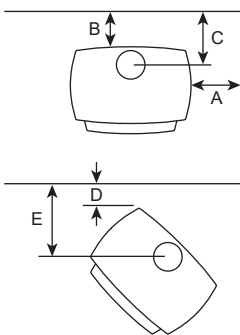


Matte Black

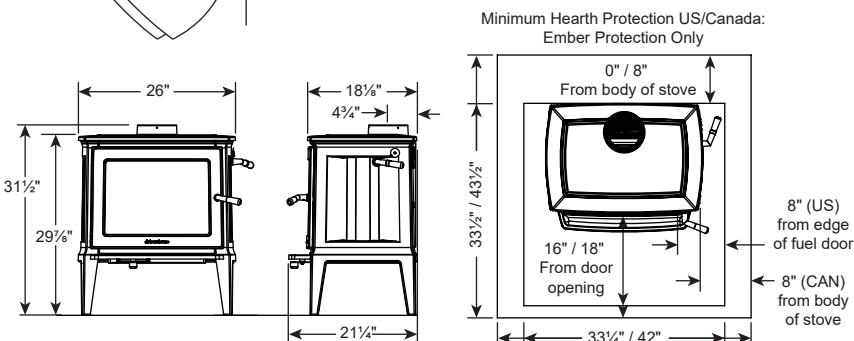
Green Mountain 60 featured with Matte Black finish.



CLEARANCE TO COMBUSTIBLE MATERIALS



	Single-wall pipe, included rear heat shield	Double-wall pipe, with blower kit heat shield
A	13"	13"
B	11"	5"
C	16"	10"
D	7"	7"
E	18.5"	18.5"



Note: Clearance measurements refer to the top of the stove.

* Connector pipe clearances may vary. Refer to manufacturer's specifications.

Note: Always refer to the HearthStone Owner's Manual and the local Authority Having Jurisdiction in your area for the specific installation requirements for your product.

SPECIFICATIONS

Burn Time	24+ hrs
EPA Certified	0.6 g/hr
Heats up to	2,000 sq ft
Firebox Capacity	2.0 cu ft
BTU	Up to 60,000
Efficiency	86% LHV, 79% HHV
Maximum Log Length	18"
Flue Diameter	Top - 6"
Ash Pan	n/a
Actual Weight	494 lbs.
Alcove Certified	Yes
Mobile Home Certified	Yes

ACCESSORIES

Convection Blower	96-57400
Outside Air Adapter	96-53400