

Wood Cook Stove

Deva

Model 8220

A full service range powered by wood, the Deva is perfect for living off grid.



Features

Baking Oven

The ample oven is constructed from stainless steel, equipped with racks, visible and large enough to cook a 20 pound turkey.

Ceramic glass cook top

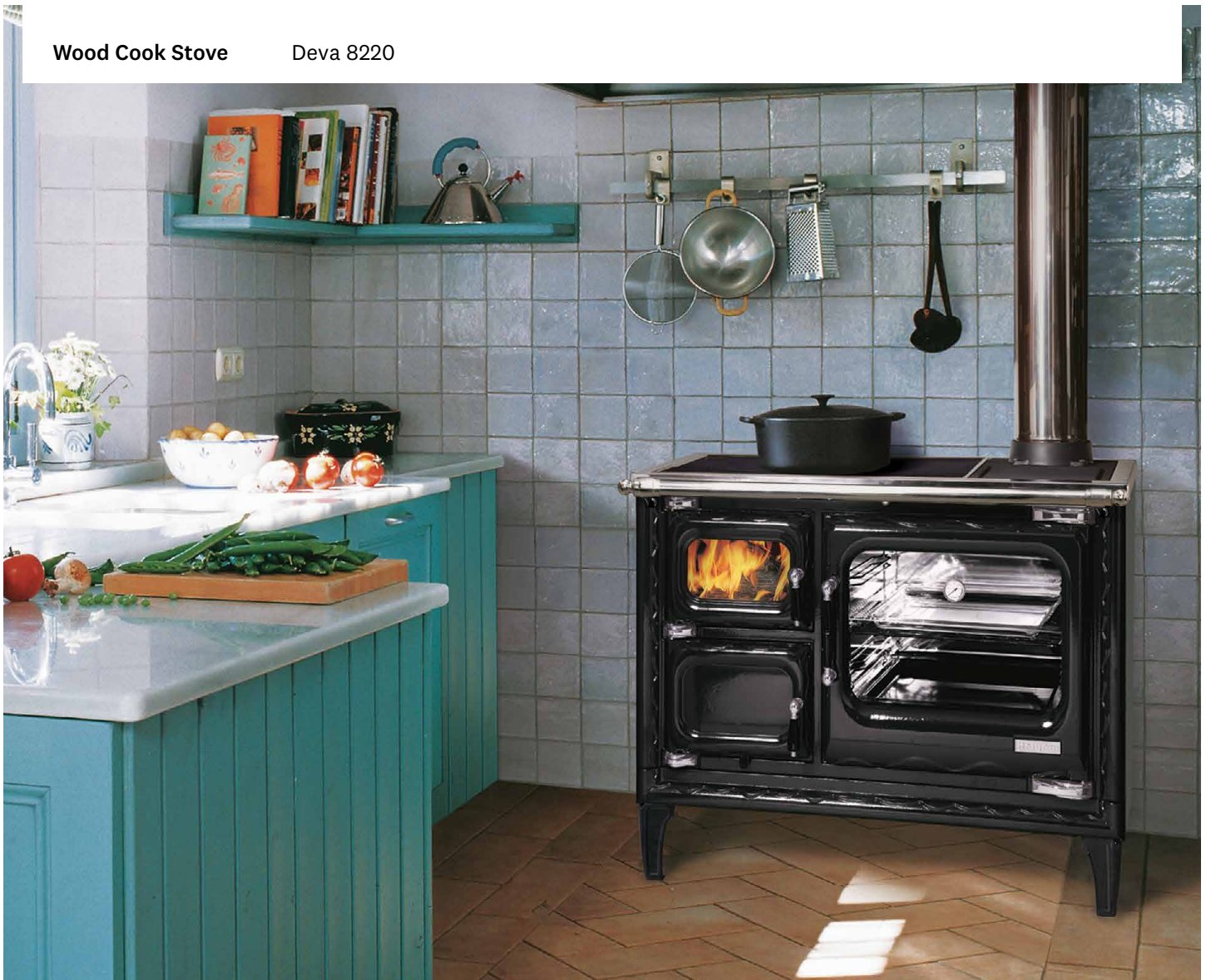
The ceramic glass cooking surface is easy to clean, scratch resistant, and spacious enough for a number of pots and pans.

Temperature control

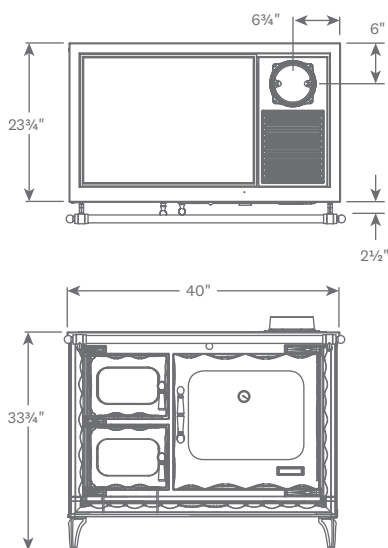
Keep a consistent temperature when baking by adjusting a simple control which regulates the amount of hot air circulating around the oven.

Wood Cook Stove

Deva 8220

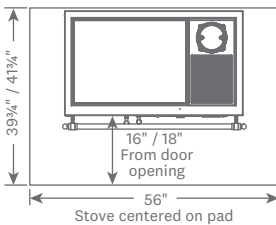


Dimensions



Hearth Protection

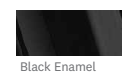
Minimum Hearth Protection US/Canada:
Thermal Protection: R-value 0.89



Specifications

- Firebox Capacity1.6 cu ft
- BTU.....Up to 46,000
- EPA Rating.....Exempt
- Maximum Log Length17"
- Flue Exit & DiameterTop or Rear - 6"
- Oven Capacity.....2.5 cu ft
- Ash PanIncluded
- Actual Weight484 lbs

Finish Options



Black Enamel

Note: All information is for reference only.
Refer to the owner's manual for full specification and installation details.