

Wood ZC Fireplaces

WFP 100 Model 8420

Double doors provide a wide view into our largest fireplace.


Efficiency

64%
HHV


HeatLife™

10
Hours


EPA Certified

1.6
g/hr



Features

Zero Clearance Fireplace

Our ZC fireplace is designed to be built near combustible materials. It takes up less space and is easier and less expensive to install when compared to traditional masonry fireplaces.

Clean burning + efficient

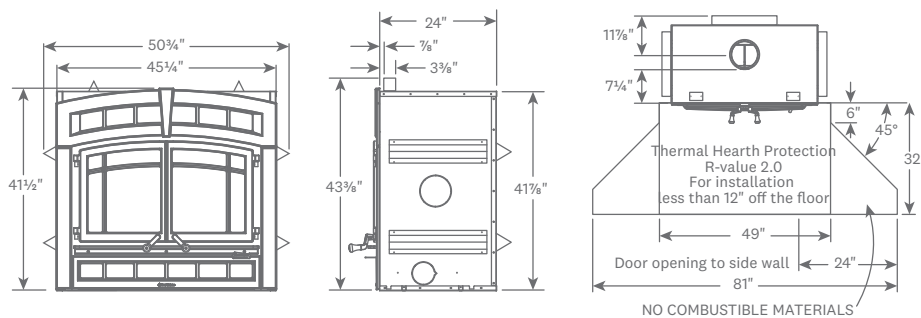
Our ZC wood fireplace exceeds 2020 EPA standards. It burns cleanly and efficiently to keep the heat in your home rather than wasting it up the chimney.

Cast iron design

The cast iron front of the WFP 100 is designed with double doors which offer a wide view of the clean and efficient fire.



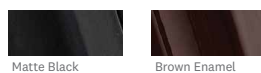
Dimensions & Installation



Clearances

- Ceiling from bottom of fireplace: 84"
- Side trim from door opening: 8"
- Side wall from door opening: 24"

Finish Options



Specifications

- HHV Efficiency64%
- HeatLife™ Burn Time*10 hours
- EPA Certified1.6 g/hr
- Heats up to.....2,800 sq ft
- Firebox Capacity4.28 cu ft
- BTU.....Up to 95,000
- Maximum Log Length25"
- Flue Exit & Diameter.....Top - 8"
- Convection Blower.....Included

Accessories

- Gravity Circulation Louver94-99200
- Forced Air Convection Kit.....94-57200

Note: All information is for reference only. Refer to the owner's manual for full specification and installation details.

* Under the right conditions, you will be able to start a new fire with kindling up to the end of the product's HeatLife™.