

Wood ZC Fireplaces

# WFP 75 Model 8411

The textured cast iron facade adds a unique elegance to your living room.

  
**Efficiency**

68%  
HHV

  
**HeatLife™**

9  
Hours

  
**EPA Certified**

1.14  
g/hr



## Features

### Zero Clearance Fireplace

Our ZC fireplace is designed to be framed into new construction. It is easier, takes up less space, and is less expensive to install when compared to traditional masonry fireplaces.

### Clean burning + efficient

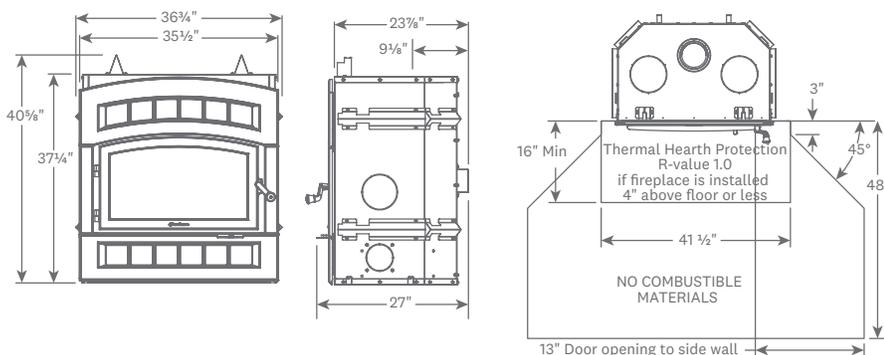
Our ZC wood fireplace exceeds 2020 EPA standards. It burns cleanly and efficiently to keep the heat in your home rather than wasting it up the chimney.

### Cast iron design

The cast iron front of the WFP 75 is designed with a hand chiseled texture that offers a uniquely beautiful finish to your fireplace.



### Dimensions & Installation



### Clearances

- Ceiling from bottom of fireplace: 80"
- Mantel from bottom of fireplace: 58"
- Side trim from door opening: 8"
- Side wall from door opening: 13"

Note: All information is for reference only. Refer to the owner's manual for full specification and installation details.

### Finish Options



### Specifications

- HHV Efficiency .....68%
- HeatLife™ Burn Time\* .....9 hours
- EPA Certified .....1.14 g/hr
- Heats up to.....2,000 sq ft
- Firebox Capacity.....2.5 cu ft
- BTU.....Up to 75,000
- Maximum Log Length .....20"
- Flue Exit & Diameter.....Top - 6"
- Convection Blower.....Included

### Accessories

- Gravity Convection Air Kit .....94-99100
- Modern Convection Air Kit .....94-99110
- Forced Air Convection Kit.....94-57110
- Mantel Shield .....94-79700
- Fire Screen .....94-69110

\* Under the right conditions, you will be able to start a new fire with kindling up to the end of the product's HeatLife™.